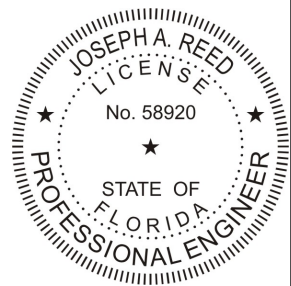


NOTES:

1. Products and installations depicted satisfy the requirements of the Florida Building Code, Building 7th Edition (2020) for design wind pressures and overall sizes noted.
2. Wood bucks, wood framing, steel stud framing, concrete and concrete masonry are by others and shall be designed by the architect or engineer of record to resist the loads imparted to them.
3. Wood buck strips and wood frames are assumed S-P-F (G=0.42) or denser. Buck width shall be greater than the frame width. Tapered or partial width buck strips are not allowed.
4. Concrete masonry installations are assumed at least ASTM C90 normal weight hollow masonry units with a 1-1/4" wall thickness or normal weight concrete with a minimum compressive strength of  $f'c = 3,000$  psi.
5. Metal frames are assumed to be a minimum 18 gauge 33 KSI steel or 0.093" thick 6063-T5 aluminum.
6. Wood screws shall be corrosion resistant and meet the requirements of ANSI/ASME B18.6.1
7. Tapcon masonry anchors shall have a minimum embedment of 1-1/2" or full penetration of concrete masonry unit shell. They shall also have a minimum of 2" edge distance. Install concrete masonry anchors per manufacturer's installation instructions.
8. TEKS screws shall be corrosion resistant and shall be ASTM A510 Grade 1018 or equivalent.
9. Maximum permitted shim thickness is 1/4". Shims shall be non-compressible and load bearing type. Every through-frame fastener shall have a shim.
10. Products are not impact resistant and require approved protection devices if used in wind-borne debris regions.
11. Not Approved for use in High Velocity Hurricane Zone (HVHZ).

CONTENTS:

Sheet 1 Notes  
Sheet 2 Elevations  
Sheets 3-4 Fin Installations  
Sheets 5-6 Frame Installations



Joseph A. Reed, PE  
FL PE 58920  
FL REG 33474  
5 Leigh Dr.  
York, PA 17406  
717-846-1200

*Joseph A. Reed*

2022.04.12 14:35:50 -04'00'

**Ecolite Single Hung  
Notes**

**ProVia LLC**

2150 State Route 39  
Sugar creek, OH 44681

Drawing No.: 25091-1-1001  
Project No.: 25091-1  
Drawn By: JAR Rev: Date: 04/12/22

Scale: NTS

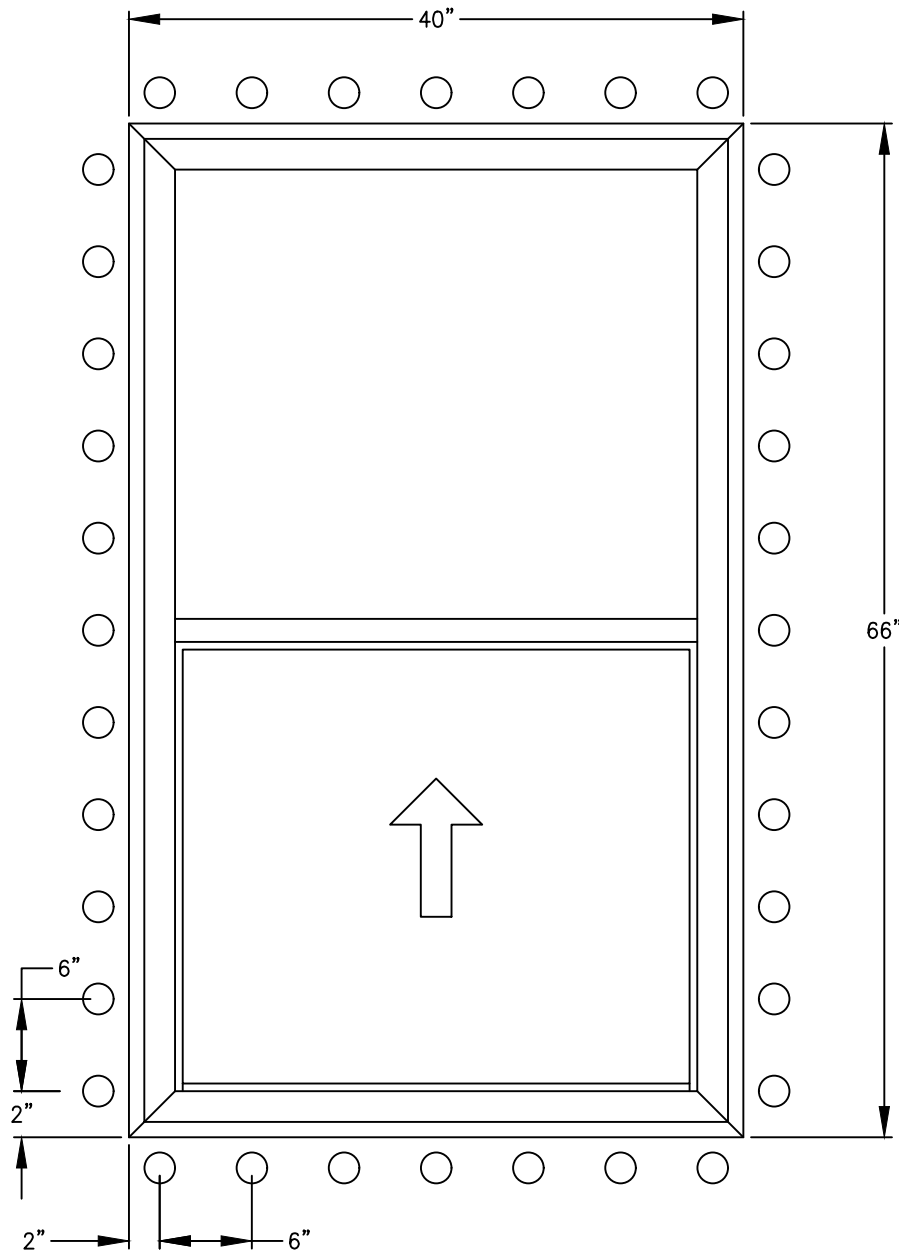
Sheet 1 of 6

ECOLITE SINGLE HUNG WINDOW (NON-IMPACT)

MAXIMUM SIZE: 40" X 66"

DESIGN PRESSURE: +50/-50 PSF (SILL S-VE-8672)

DESIGN PRESSURE: +35/-35 PSF (SILL S-VE-8673)



FIN INSTALLATION

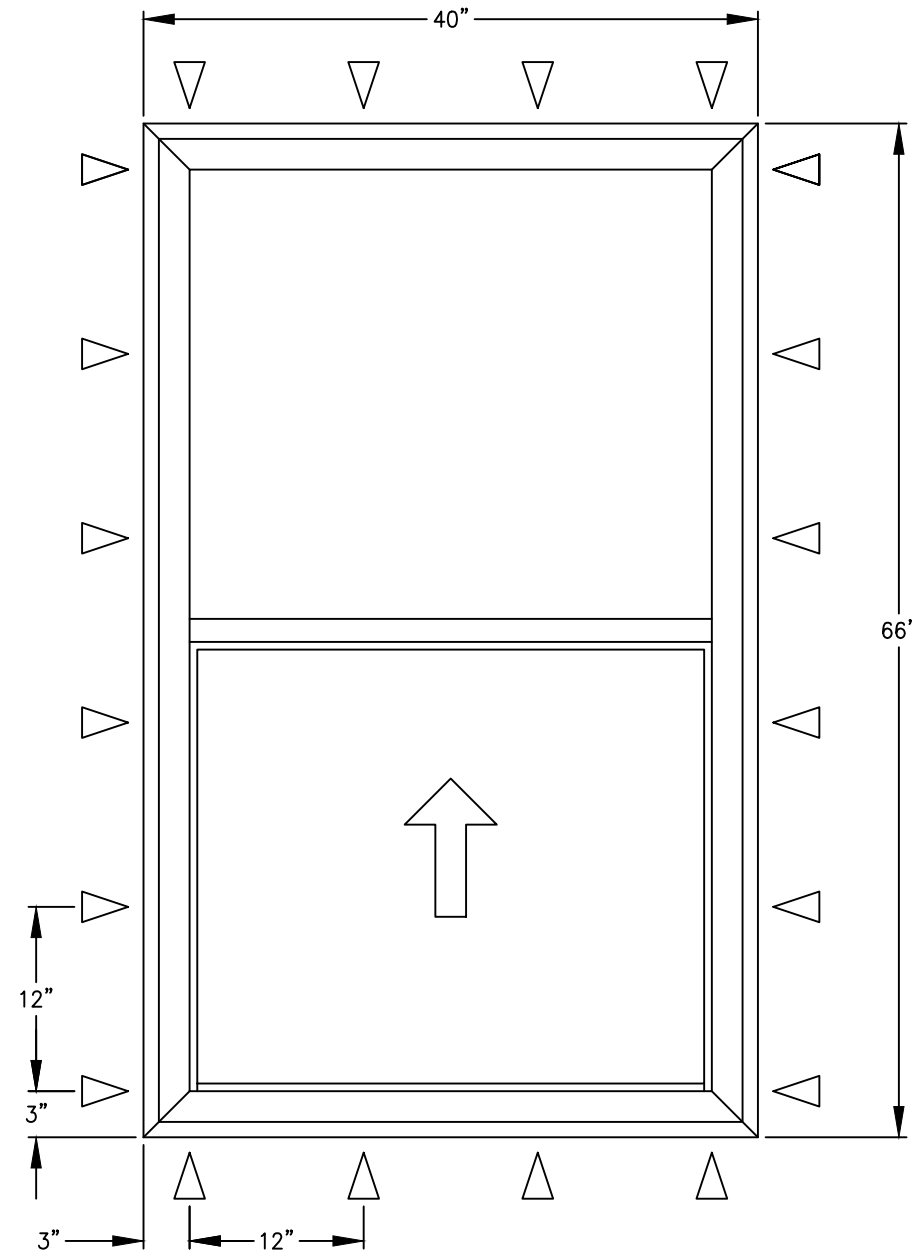
○ ANCHOR  
(SEE SHEETS 3 TO 4)

ECOLITE SINGLE HUNG WINDOW (NON-IMPACT)

MAXIMUM SIZE: 40" X 66"

DESIGN PRESSURE: +50/-50 PSF (SILL S-VE-8672)

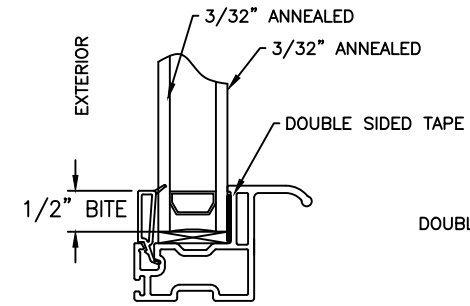
DESIGN PRESSURE: +35/-35 PSF (SILL S-VE-8673)



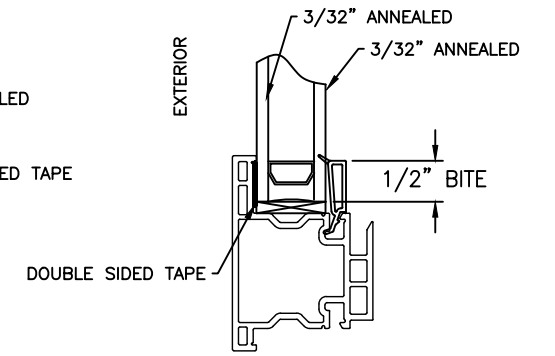
FRAME INSTALLATION

△ ANCHOR  
(SEE SHEETS 5 TO 6)

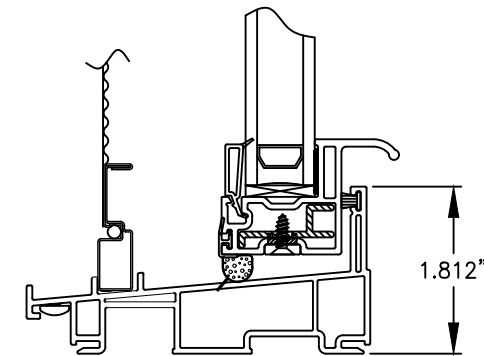
IG GLAZING - SASH



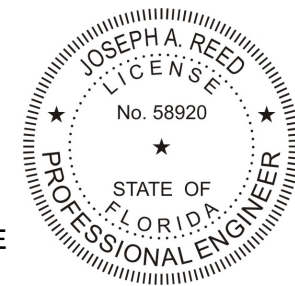
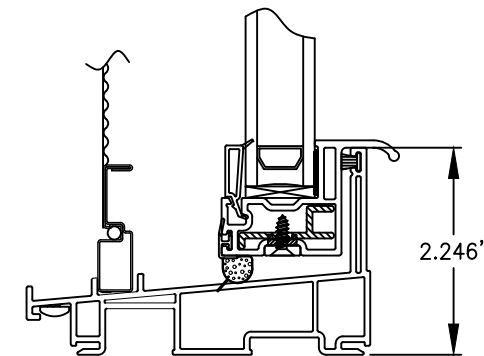
IG GLAZING - FIXED LITE



SILL S-VE-8673 +35/-35 PSF



SILL S-VE-8672 +50/-50 PSF



Joseph A. Reed, PE  
FL PE 58920  
FL REG 33474  
5 Leigh Dr.  
York, PA 17406  
717-846-1200

*Joseph A. Reed*

2022.04.12 14:35:50 -04'00'

**Ecolite Single Hung  
Elevations**

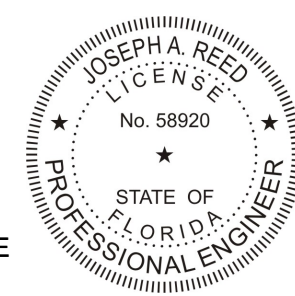
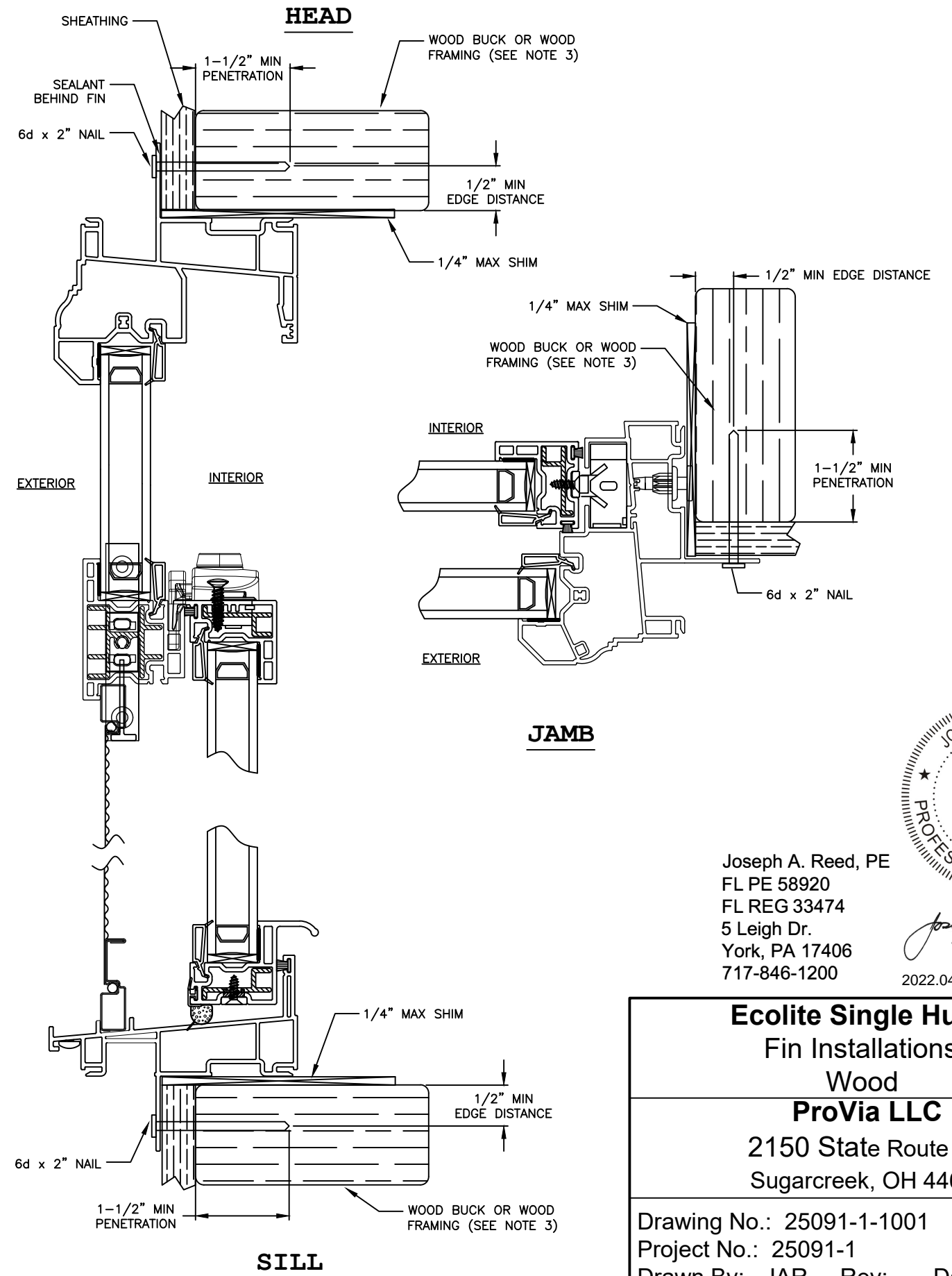
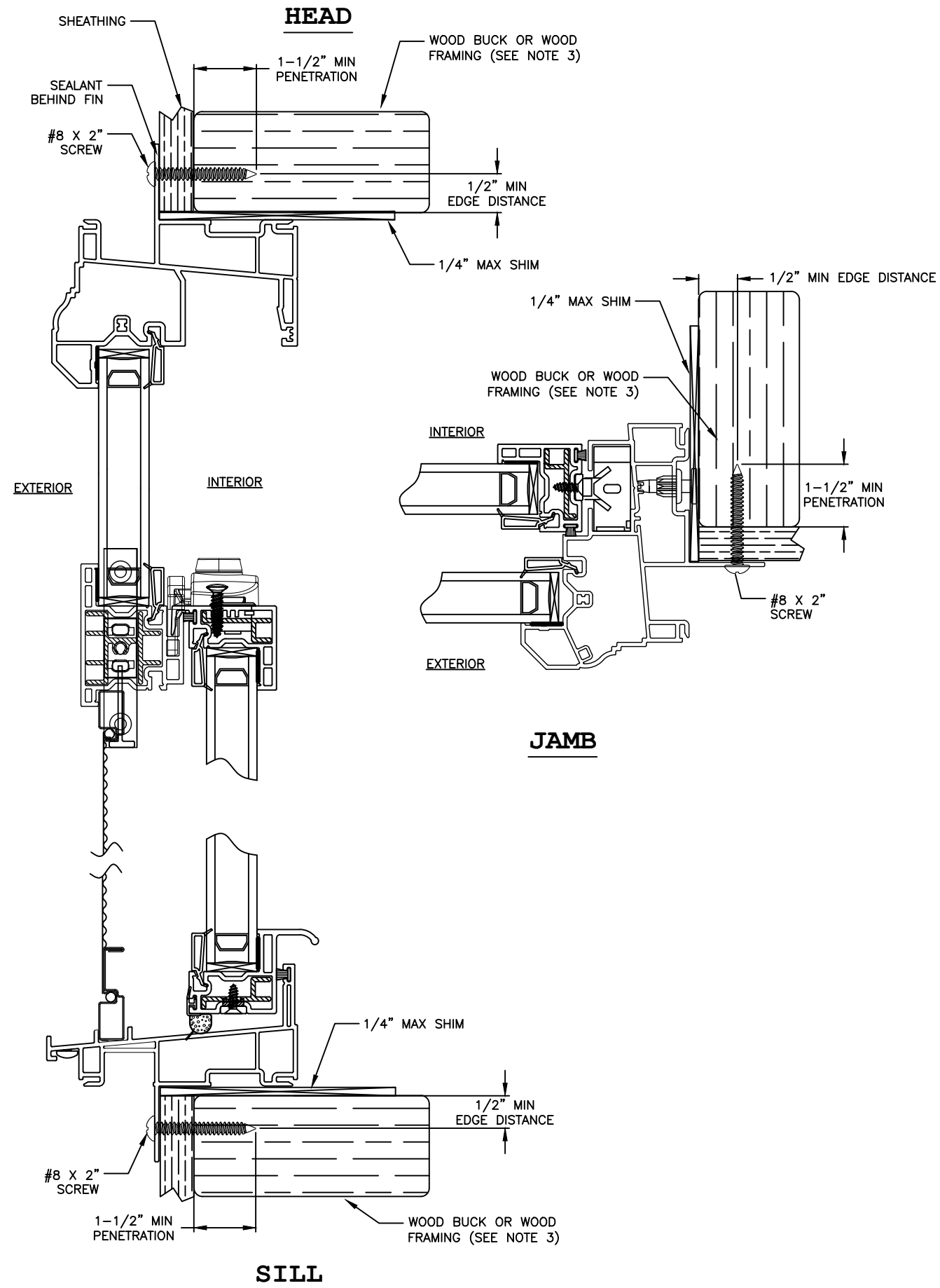
**ProVia LLC**

2150 State Route 39  
Sugar creek, OH 44681

Drawing No.: 25091-1-1001  
Project No.: 25091-1  
Drawn By: JAR Rev: Date: 04/12/22

Scale: NTS

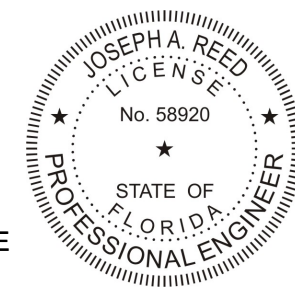
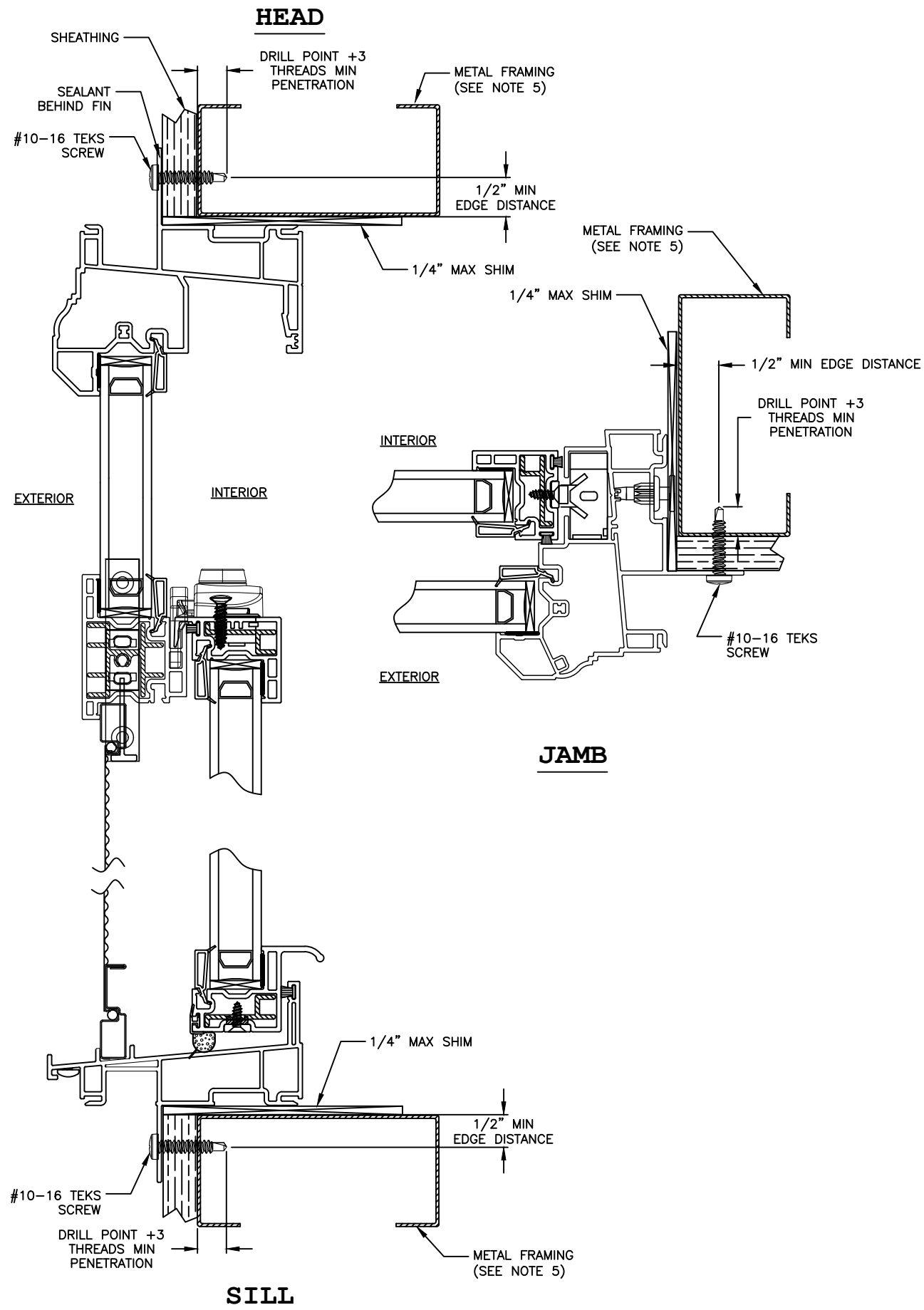
Sheet 2 of 6



Joseph A. Reed, PE  
FL PE 58920  
FL REG 33474  
5 Leigh Dr.  
York, PA 17406  
717-846-1200

*Joseph A. Reed*  
2022.04.12 14:35:50 -04'00'

<b>Ecolite Single Hung Fin Installations Wood</b>	
<b>ProVia LLC</b> 2150 State Route 39 Sugarcreek, OH 44681	
Drawing No.: 25091-1-1001 Project No.: 25091-1 Drawn By: JAR Rev: Date: 04/12/22	
Scale: NTS	Sheet 3 of 6



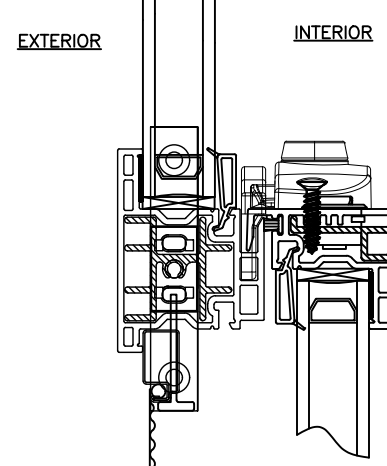
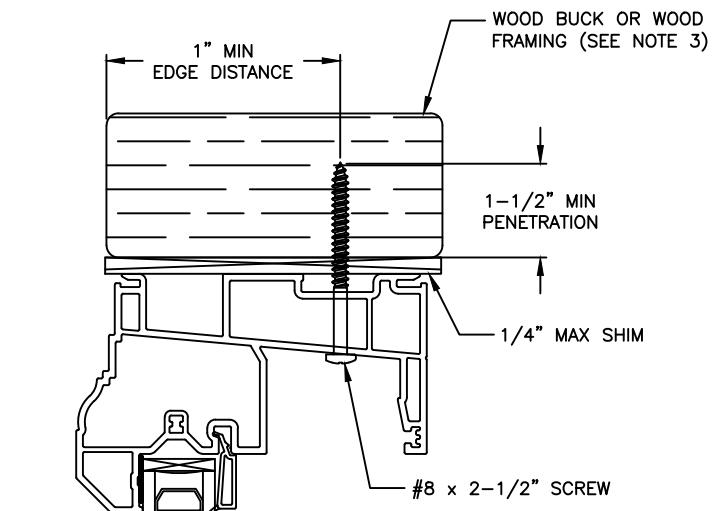
Joseph A. Reed, PE  
 FL PE 58920  
 FL REG 33474  
 5 Leigh Dr.  
 York, PA 17406  
 717-846-1200

*Joseph A. Reed*

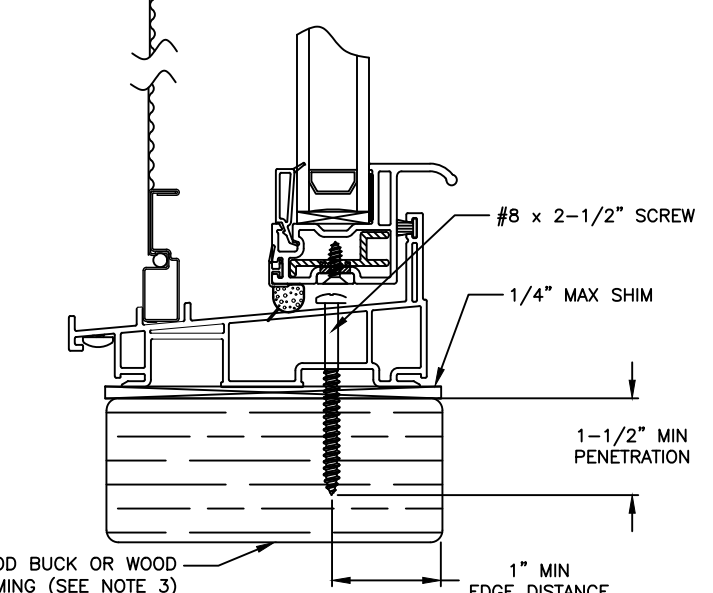
2022.04.12 14:35:50 -04'00'

<b>Ecolite Single Hung Fin Installations Metal</b>	
<b>ProVia LLC</b> 2150 State Route 39 Sugarcreek, OH 44681	
Drawing No.: 25091-1-1001 Project No.: 25091-1 Drawn By: JAR Rev: Date: 04/12/22	
Scale: NTS	Sheet 4 of 6

**HEAD**

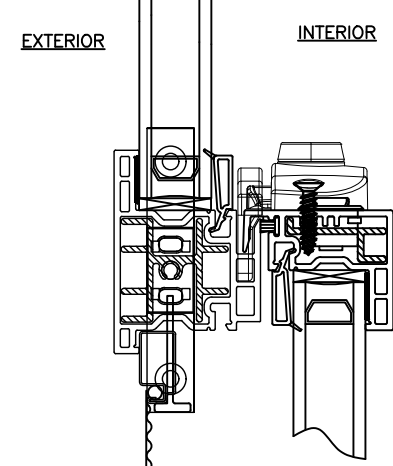
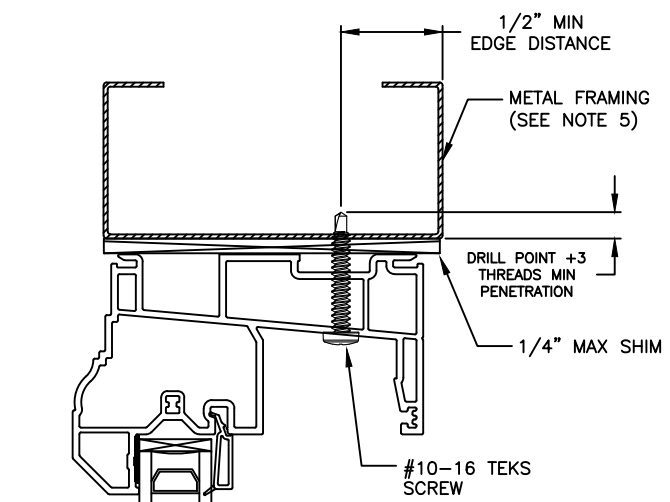


**JAMB**

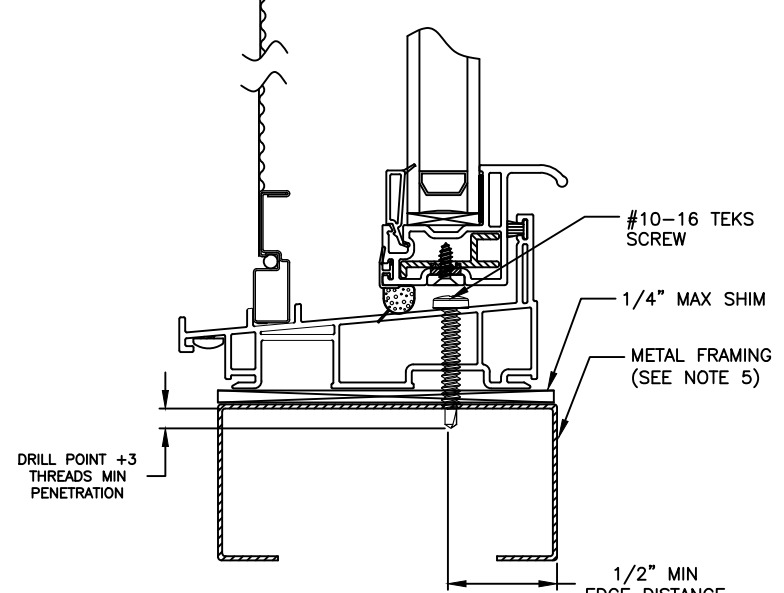


**SILL**

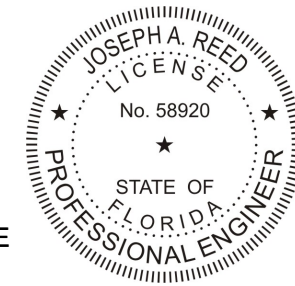
**HEAD**



**JAMB**



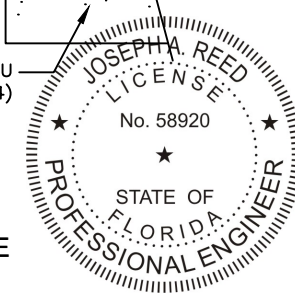
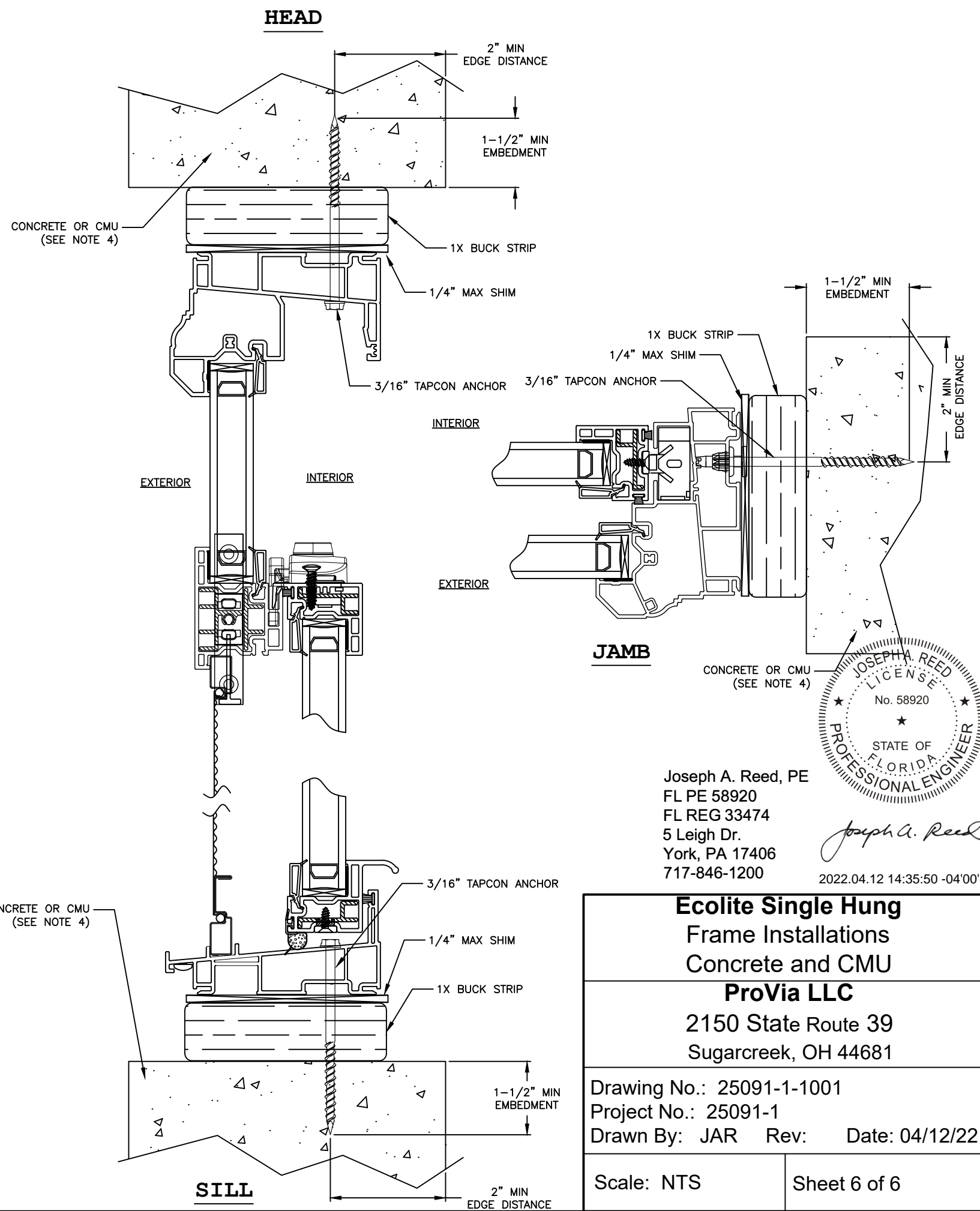
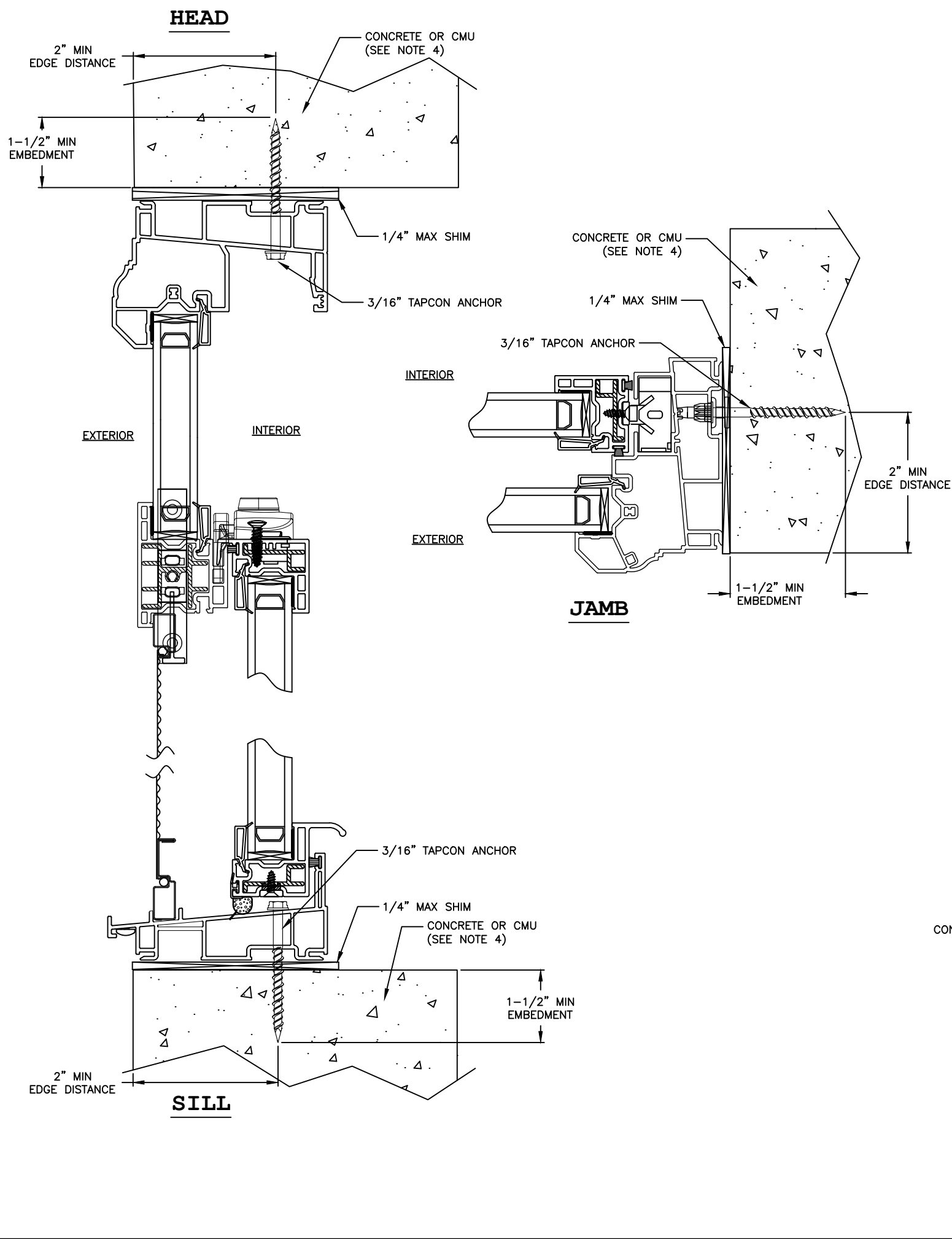
**SILL**



Joseph A. Reed, PE  
 FL PE 58920  
 FL REG 33474  
 5 Leigh Dr.  
 York, PA 17406  
 717-846-1200

*Joseph A. Reed*  
 2022.04.12 14:35:50 -04'00'

<b>Ecolite Single Hung Frame Installations Wood and Metal</b>	
<b>ProVia LLC</b>	
2150 State Route 39 Sugar creek, OH 44681	
Drawing No.: 25091-1-1001 Project No.: 25091-1 Drawn By: JAR Rev: Date: 04/12/22	
Scale: NTS	Sheet 5 of 6



Joseph A. Reed, PE  
FL PE 58920  
FL REG 33474  
5 Leigh Dr.  
York, PA 17406  
717-846-1200

*Joseph A. Reed*  
2022.04.12 14:35:50 -04'00'

<b>Ecolite Single Hung Frame Installations Concrete and CMU</b>	
<b>ProVia LLC</b> 2150 State Route 39 Sugarcreek, OH 44681	
Drawing No.: 25091-1-1001 Project No.: 25091-1 Drawn By: JAR Rev: Date: 04/12/22	
Scale: NTS	Sheet 6 of 6